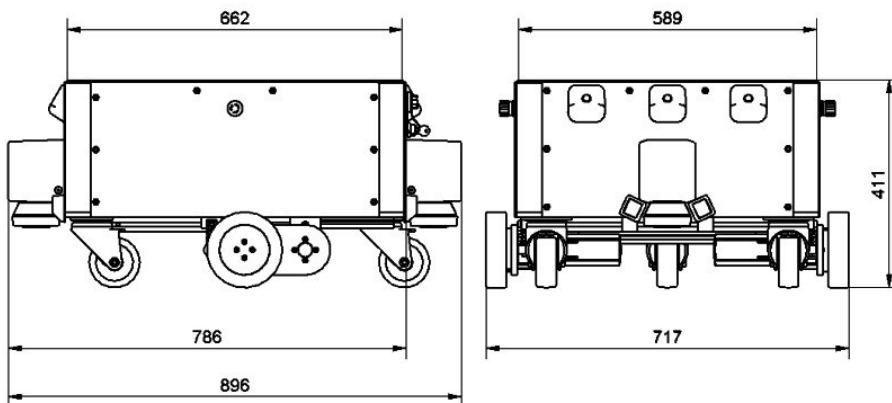


MP - 700

THE MP-700 offers easy access to all components and allows maximum options for modifications and mounting of additional devices. The mobile robot MP-700 is especially suitable for the integration of one or two manipulator arms.

ITS HIGH STABILITY and simple modification possibilities made the MP-700 the number one choice for several research projects dealing with mobile manipulation.

THE MP-700 IS EXTREMELY ROBUST. Whether one or two manipulator arms have to be integrated, the big platform can handle almost every application. Its basic design can be changed to carry even very big industrial electric control cabinets. Since the system offers a very high payload and battery capacity, there is hardly any limit to the integration of additional devices and functions.



INCLUDED IN DELIVERY

- Mobile platform
- 1 x Sick S300 safety laser scanner
- Battery pack
- Wireless joystick
- Manual charger
- On-board computer
- Software package ROS
- Documentation
- CE Declaration of Conformity

OPTIONS

- 2nd laser scanner Sick S300
- Automatic charging station
- Load handling device
- NAV350 localisation system
- 4 x ultrasonic sensors
- IOBoard
- Integration of robot arm
- Audio system

TECHNICAL DATA

Payload	300 kg
Weight	approx. 170 kg
Ground clearance	44 mm
Speed	< 1 m/s
Battery pack	AGM sealed lead acid 48 V / 100 Ah (optional: 24 V / 200 Ah)
Uptime / charge time	approx. 12 h / 8 h
Sensor	Laser scanner Sick S300 (optional: 2 nd laser scanner Sick S300, 4 x ultrasonic sensors)
Computer	Intel Atom, 2 GB RAM, > 100 GB HDD, WLAN