

MP-500

13. Apr 2023

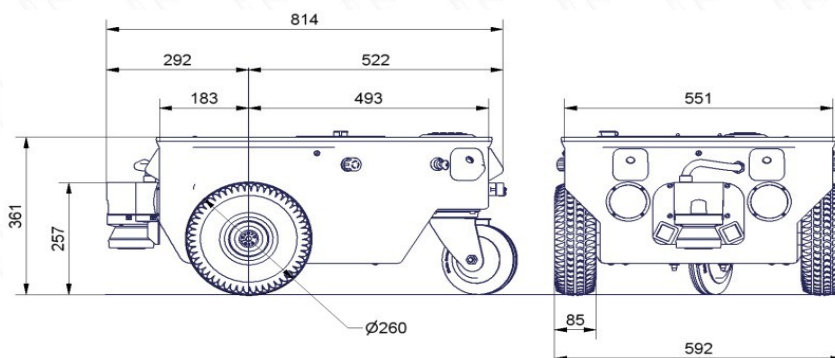
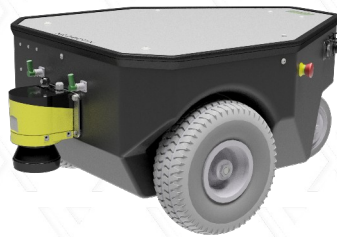
DATA SHEET

The mobile robot **MP-500** was designed with focus on a small and compact outline, high agility and splash-water protection. It is prepared for easy modification according to customers' demands. The **MP-500** is therefore perfect for most industrial applications requiring high flexibility and low cycle times.

The standard version offers the same features as the big platforms. As control software you can choose between ROS, ROS2 or PlatformPilot running on the embedded

on-board computer without any limitations. This software is prepared to cope with the most common tasks in industrial applications. Thanks to the energy saving measures, an uptime of up to 10 hours can be reached.

The **MP-500** can be modified to match the individual needs of every customer, no matter if the task is automatic transport in a factory, mobile manipulation, surveillance or telepresence.



► PAYLOAD

80 kg

► WEIGHT

70 kg

► SENSORS

Laser scanner Sick S300 Expert

► SPEED

< 1.5 m/s

► UPTIME / CHARGE TIME

approx. 10 h / 6 h

► COMPUTER

Intel i5, 8 GB RAM, > 200 GB SSD, WLAN