

# MP ▶ 400

13. Apr 2023

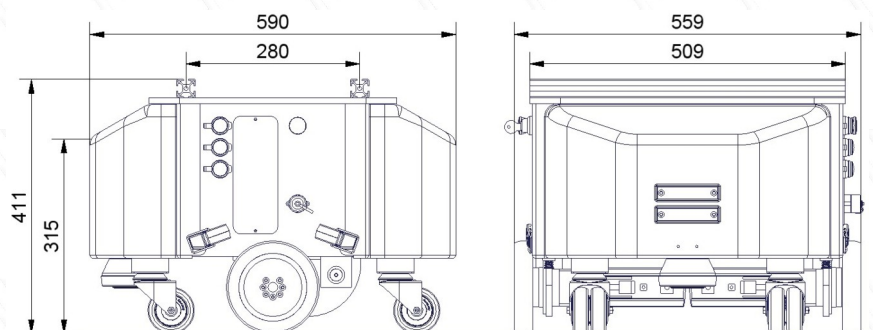
## DATA SHEET

The mobile Robot **MP-400** was designed for daily use in industrial applications. It combines well proven components with smart innovations to form a high-performance robot at an affordable price.

The **MP-400's** primary task is to support a flexible material flow in intralogistics. This small, agile robot can cover connections that cannot be realised with stationary conveyors or traditional AGVs. With its integrated laser scanner the **MP-400** can safely and

freely move between humans and without fixed routes. Its central differential drive and the compact, symmetric design allow the robot to find its way even in very narrow environments.

Many different options can be chosen to adjust the **MP-400** to almost any given application, reaching from simple transport with an integrated load handling device to high-class research with additional robot arm and sensors.



### ▶ PAYLOAD

100 kg

Option: high payload of 150 kg

### ▶ WEIGHT

70 kg

### ▶ SENSORS

Laser scanner Sick S300 Expert

### ▶ SPEED

&lt; 1.5 m/s

### ▶ UPTIME / CHARGE TIME

approx. 10 h / 6 h

### ▶ COMPUTER

Intel i5, 8 GB RAM, &gt; 200 GB SSD, WLAN

Option: Intel i7, 16 GB RAM, &gt; 400 GB SSD