

MMO ▶ 700

13. Apr 2023

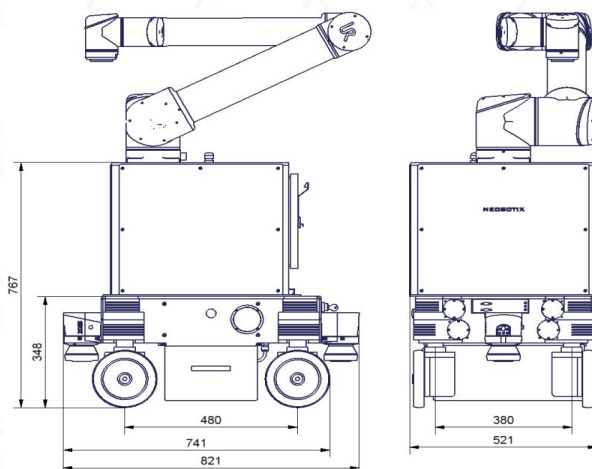
DATA SHEET

The mobile Manipulator **MMO-700** combines the omnidirectional robot **MPO-700** with a light-weight robot arm. It is especially suited for the arms from Elite Robots or the arms UR5 and UR10 from Universal Robots.

With four OmniDriveModules, the **MMO-700** can drive along the front of a workbench or laboratory bench while permanently facing the workspace. This significantly improves the work-flow and reduces the danger of collisions. Furthermore the robot is capable of moving through very narrow spaces and of navigating swiftly in difficult or crowded environments.

The default manipulator configuration already contains everything needed for immediate operation, from extended battery capacity to all basic software packages. For optimal usability a wide range of options is available, like a wireless emergency stop, our IOBoard and more.

To match your individual requirements the **MMO-700** can also be heavily customised and engineered into a bespoke mobile robot system, perfect for your unique application.



▶ PAYLOAD ARM / PLATFORM

Up to 12 kg / 50 kg

▶ WEIGHT

215 kg

▶ SENSORS

1 x Laser scanner Sick S300 Expert
Option: 2nd Sick S300 Expert

▶ SPEED

< 0.9 m/s

▶ UPTIME / CHARGE TIME

approx. 5 h / 5 h

▶ COMPUTER

Intel i5, 8 GB RAM, > 200 GB SSD, WLAN
Option: Intel i7, 16 GB RAM, > 400 GB SSD