



CS625 | 6-axis Collaborative Robot

CS SERIES



25kg
Payload



1500mm
Radius



± 0.08 mm
Repeatability



3.3m/s
Max TCP Speed



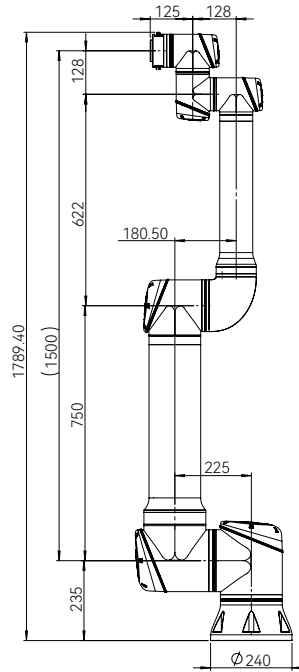
CS625

CS SERIES

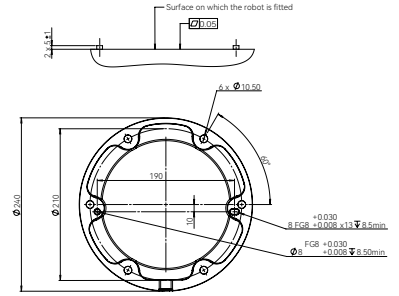


Robotic Arm

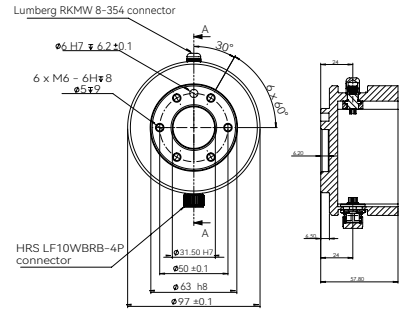
Payload	25kg
Radius	1500mm
Repeatability	±0.08mm
Axis	6
Joints rotation	J1-J6 ±360°
Joints speed	J1-J2 125°/s
	J3 150°/s
	J4-J6 210°/s
Max TCP Speed	3.3m/s
IP rating	IP65 (IP68 upgradable)
Operating Temperature range	0-50 °C
Relative humidity	<90% (non-condensing)
Typical power usage	625w
Mounting	Any angle
Tool I/O connector	T1: M8, 8pin; T2: Ø 12.8mm, 4pin
Tool I/O ports	4 config. DI, 4 config. DO; 1 AI, 1 AO
Tool I/O power supply	T1: 12V / 24V, 3A, 2A, 1A; T2: 24 V, 5A
Tool I/O communication	RS485, CAN
Footprint	Ø240mm
Weight	58kg
Material	Aluminum, Steel
Cable length	5.5m
Certifications	EN ISO 13849-1, PLd Category 3, EN ISO 10218-1



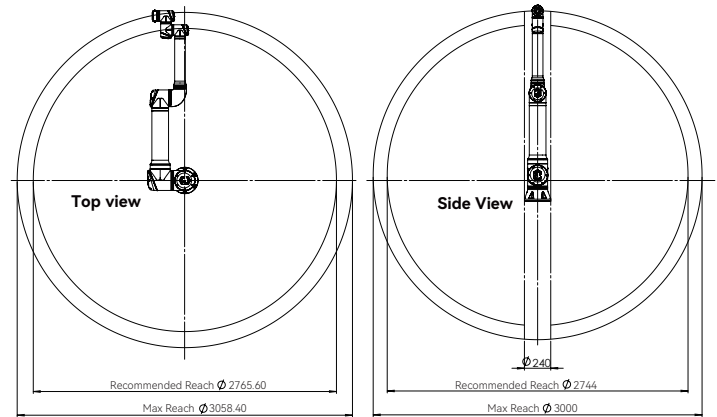
CS625 external dimensional drawing



CS625 base top view



CS625 end flange



CS625 working range diagram

Teach-Pendant



Size	301mm x 232mm x 54mm
Screen display size	12.1"
Resolution	1280 x 800 pixels
Material	Aluminum, Plastic
Weight	2.1kg
Cable length	5.5m
IP rating	IP54
Input method	Capacitive touch-screen

Controller



Size	505mm x 432mm x 257mm
Material	Aluminum, Steel
IP rating	IP54
I/O ports	24 DI (8 config.), 24 DO (8 config.); 2 AI, 2 AO
I/O power supply	24V; 3A (internal), 6A (external)
Communication ports	3 Ethernet ports, 1 RS485, 1 MiniDP, 1 USB 2.0, 1 USB 3.0
Communication protocols	TCP/IP, MODBUS TCP/RTU, EtherNet/IP, Profinet, OPCUA
Power source	100-240 VAC, 50-60 Hz